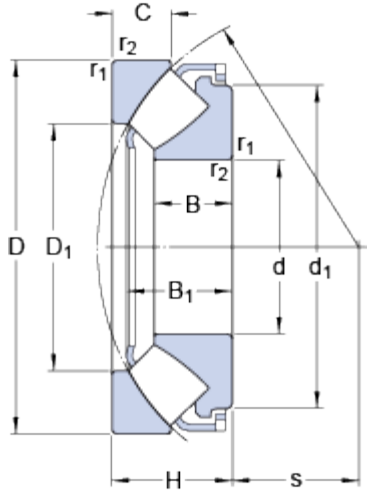


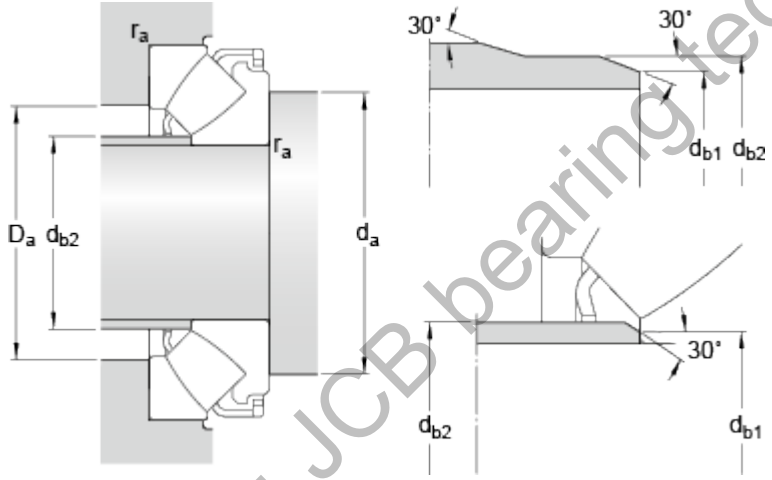
▶
29356

Dimensions



d	280	mm
D	440	mm
H	95	mm
d ₁	≈ 401	mm
D ₁	≈ 343	mm
B	62	mm
B ₁	86.7	mm
C	45.5	mm
s	158	mm
r _{1,2}	min. 5	mm

Abutment dimensions



d _a	min. 355	mm
d _{b1}	max. 293	mm
d _{b2}	max. 305	mm
D _a	max. 390	mm
r _a	max. 4	mm

Calculation data

Basic dynamic load rating	C	2550	kN
Basic static load rating	C ₀	8650	kN
Fatigue load limit	P _u	800	kN
Reference speed		850	r/min
Limiting speed		1400	r/min
Minimum axial load factor	A	7.1	

Mass

Mass bearing		53	kg
--------------	--	----	----